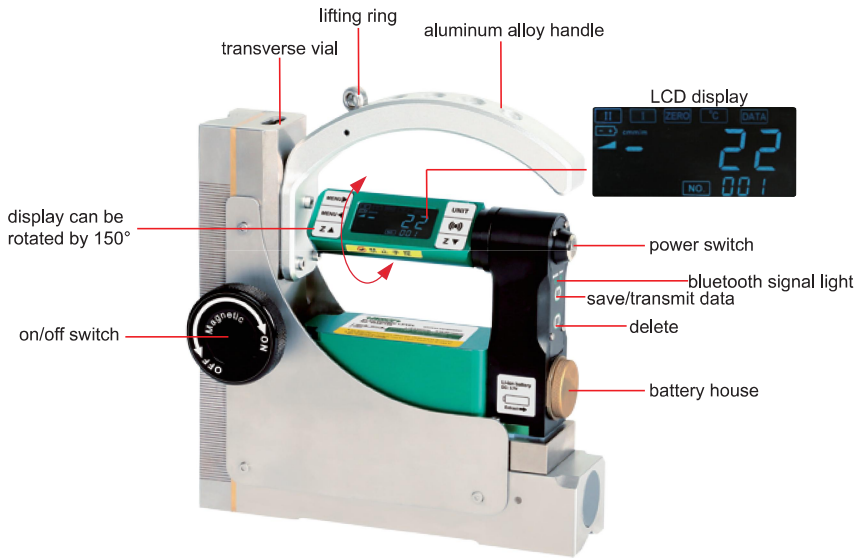


# BUILT-IN BLUETOOTH DIGITAL LEVELS

MAGNETIC ON LEFT

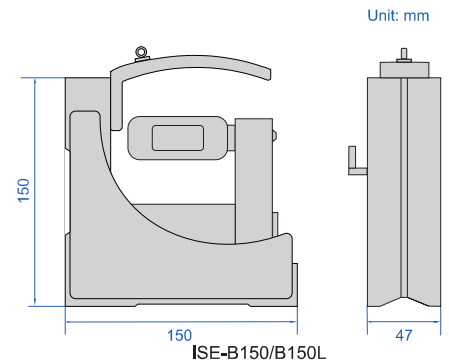
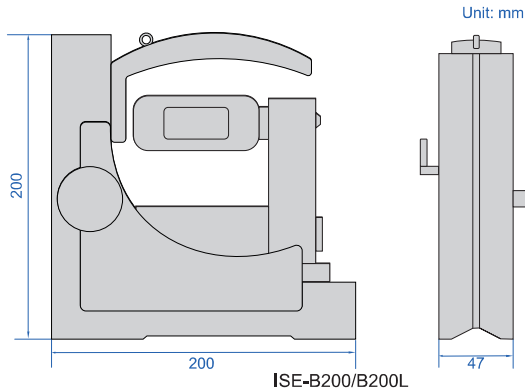
BUILT-IN BLUETOOTH



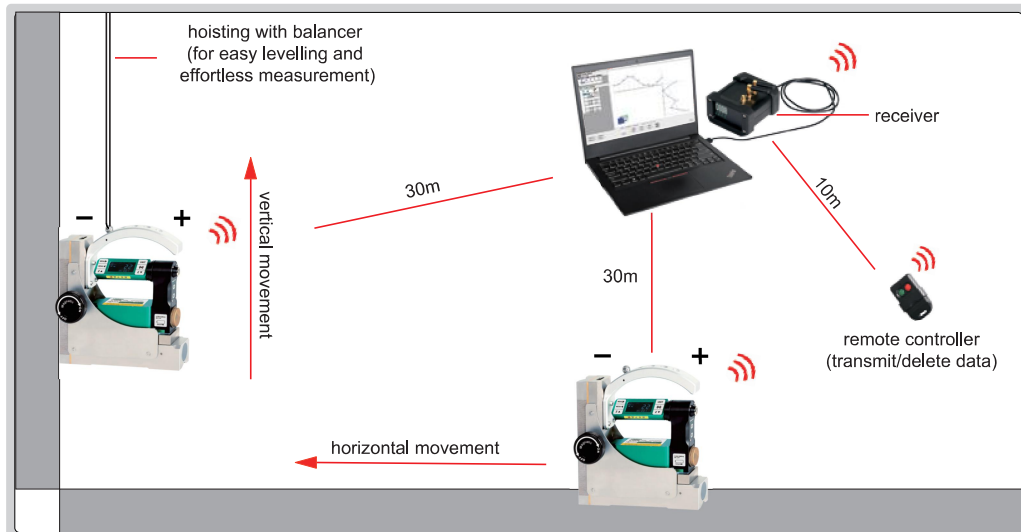
**ISE-B200**

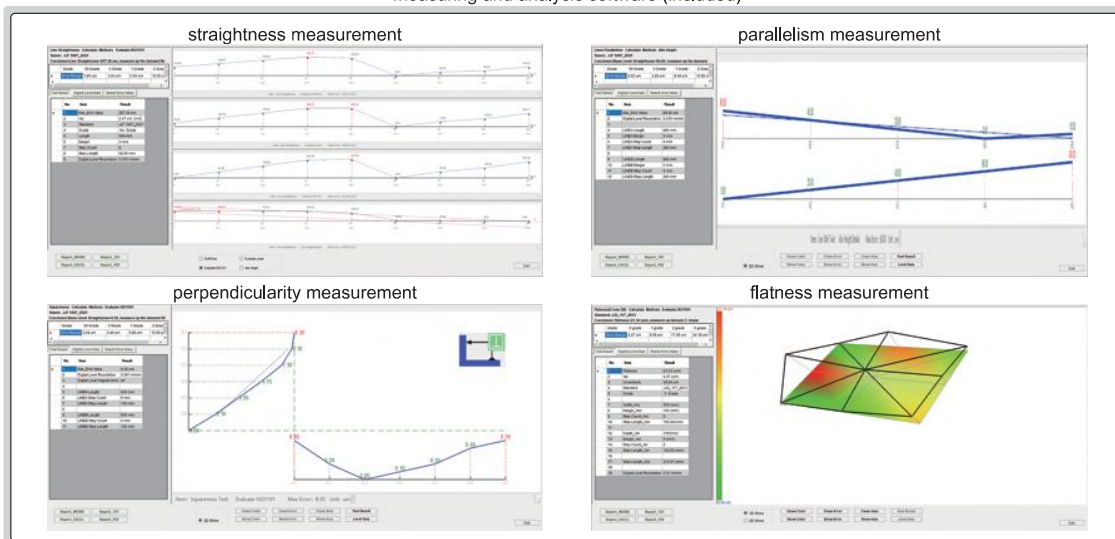


**ISE-B150**



application  
(measure the straightness and perpendicularity in horizontal and vertical directions)





- Measures straightness, perpendicularity, parallelism and flatness
- Built-in bluetooth, transmission distance is 30 meters (under the condition of no obstruction and no electromagnetic interference)
- The LCD display can be rotated for easy observation in different directions
- Supplied with balancer to hold digital levels
- Supplied with measuring and analysis software

**SPECIFICATION**

Code	ISE-B200		ISE-B200L		ISE-B150		ISE-B150L	
Resolution (adjustable)	0.01mm/m(2")	0.001mm/m(0.2")	0.01mm/m(2")	0.005mm/m(1")	0.01mm/m(2")	0.001mm/m(0.2")	0.01mm/m(2")	0.005mm/m(1")
Range	±5mm/m	±0.5mm/m	±5mm/m	±2.5mm/m	±5mm/m	±0.5mm/m	±5mm/m	±2.5mm/m
Accuracy	±(0.01+2%A)*	±(0.001+2%A)*	±(0.01+2%A)*	±(0.005+2%A)*	±(0.01+2%A)*	±(0.001+2%A)*	±(0.01+2%A)*	±(0.005+2%A)*
Repeatability	0.01mm/m	0.001mm/m	0.01mm/m	0.005mm/m	0.01mm/m	0.001mm/m	0.01mm/m	0.005mm/m
Response time	<3秒	<10秒	<3秒	<5秒	<3秒	<10秒	<3秒	<5秒
Power supply	1 x 21700 Li-ion battery, for 50h continuous working				1 x 21700 Li-ion battery, for 50h continuous working			
Magnetic force	10kgf/cm <sup>2</sup> , with on/off switch				2kgf/cm <sup>2</sup>			
Net weight	5kg				3kg			

\*A is the absolute measured value, for example A=0.1mm/m, the resolution is 0.001mm/m, the accuracy is ±0.003mm/m

remote controller (included)



receiver (included)



Li-ion batteries and charger (included)



balancer (included)



**STANDARD DELIVERY**

Main unit	1pc
Remote controller	1pc
Receiver	1pc
Measuring and analysis software	1set
Balancer	1pc
Charger	1pc
Li-ion battery	4pcs

**OPTIONAL ACCESSORY**

300mm bridge plate	4952-01
200mm bridge plate	4952-02
500mm bridge plate	4952-03

300mm bridge plate (optional)

