

COMPARISON GAGES

CUSTOMIZABLE MEASURING
JAWS AND POINTS

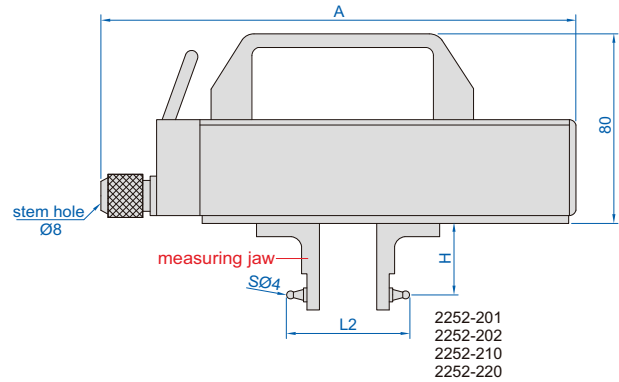
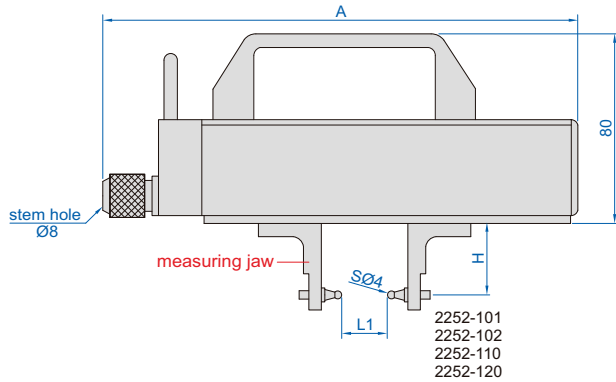


measure external diameter
2252-110



measure internal diameter
2252-220

Unit: mm



- Measure external diameter, internal diameter and over-pin diameter of gears
- Total range of movable point: 8mm, effective range of movable point: ±2mm
- Optional accessory: digital indicator (code 2138-10F), gage block grade 1 (4101-B series)

Measure external diameter

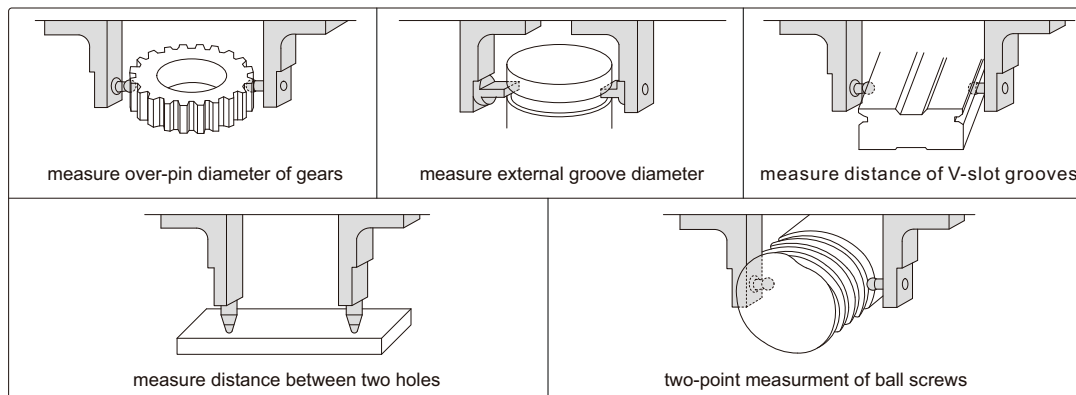
Code	Range of external diameter (L1)	Accuracy*	Repeatability	A	H
2252-101	0-100mm/0-4"	±5µm	1µm	245mm	40mm
2252-102	0-170mm/0-6.6"	±5µm	1µm	315mm	40mm
2252-110	0-100mm/0-4"	±5µm	2µm	245mm	60mm
2252-120	0-170mm/0-6.6"	±5µm	2µm	315mm	60mm

Measure internal diameter

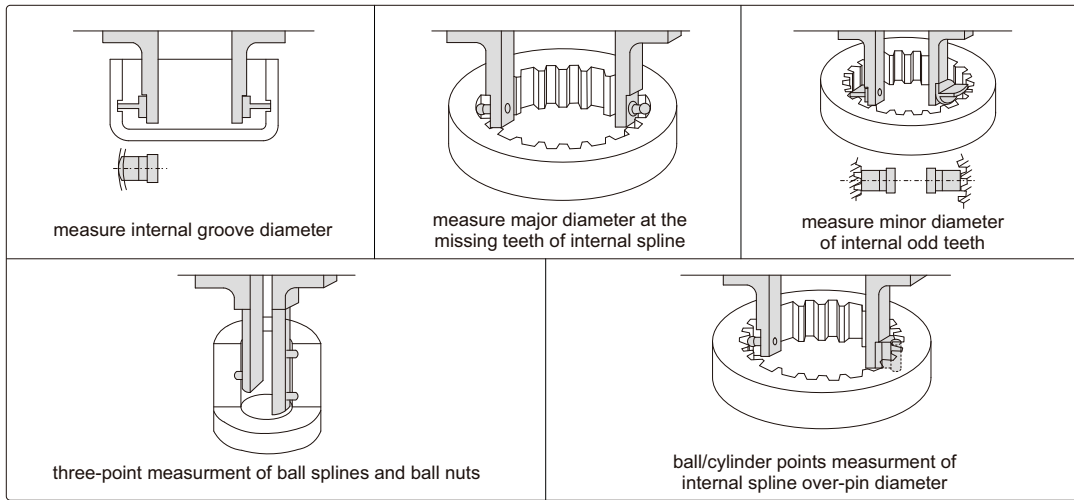
Code	Range of internal diameter (L2)	Accuracy*	Repeatability	A	H
2252-201	20-130mm/0.8-5.1"	±5µm	1µm	195mm	40mm
2252-202	20-200mm/0.8-7.8"	±5µm	1µm	265mm	40mm
2252-210	20-130mm/0.8-5.1"	±5µm	2µm	195mm	60mm
2252-220	20-200mm/0.8-7.8"	±5µm	2µm	265mm	60mm

*Within ±2mm effective range

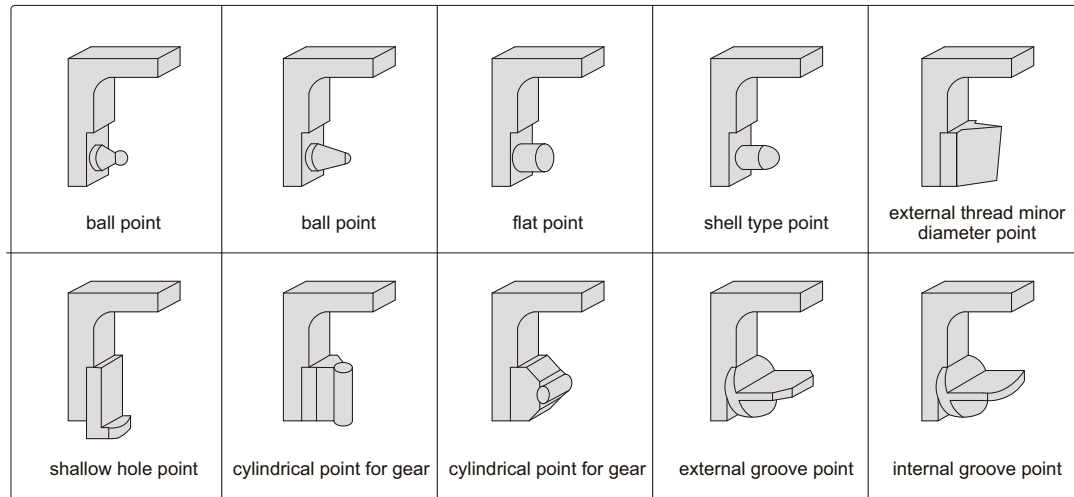
external diameter measurement application



internal diameter measurement application



customizable points



customizable measuring jaws

