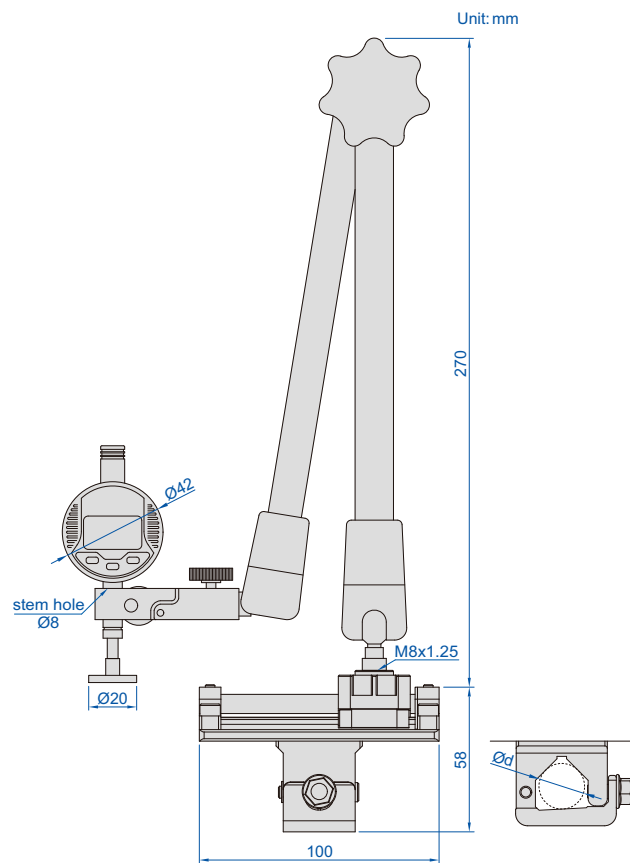


PARALLELISM COMPARISON GAGE

CUSTOMIZED ACCORDING TO WORKPIECES



2254-20

- Measurement parallelism between two cylinders

Code	Digital indicator stroke	Digital indicator resolution	Parallelism	Cylindrical workpeice diameter Ød
2254-20	5mm/0.2"	0.01mm/0.0005"	0.01mm	20mm

application

