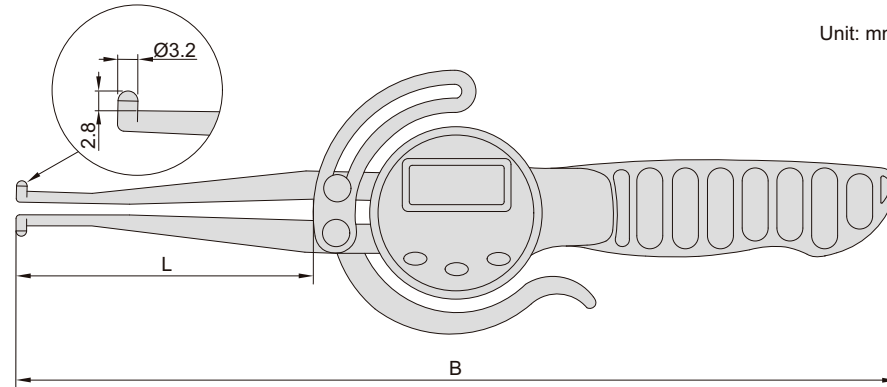


DIGITAL INTERNAL CALIPER GAGES (ECONOMIC TYPE)



2711-165

Unit: mm



- Button function: on/off, zero, mm/inch, data hold
- Battery CR2032, automatic power off

(mm)						
Code	Range	Resolution	Accuracy	Repeatability	L	B
2711-165	12.7-165mm/0.5-6.5"	0.1mm/0.01"	±0.3mm	0.2mm	85	252
2711-216	12.7-216mm/0.5-8.5"	0.1mm/0.01"	±0.3mm	0.2mm	160	327

(mm)

Code 2711-165	
D	L1
Ø13	<42
Ø15	<45
Ø17	<50
Ø20	<60
Ø25	<75
Ø27	<80
Ø29~165	<85

(mm)

Code 2711-216	
D	L1
Ø13	<50
Ø15	<55
Ø17	<60
Ø20	<65
Ø25	<75
Ø30	<95
Ø35~216	<160

