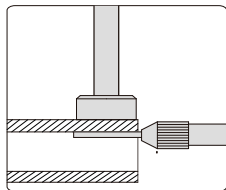


DIGITAL TUBE THICKNESS GAGES

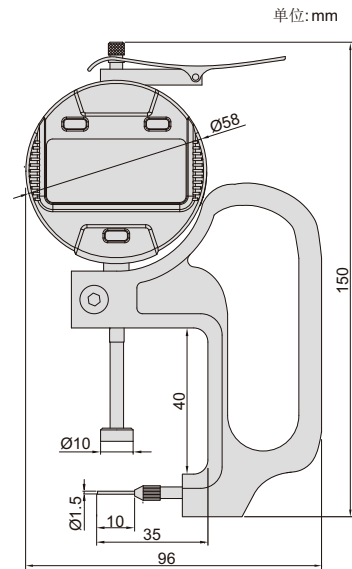
DATA
OUTPUT



- Buttons: on/off, inch/mm, zero, data preset, change measuring direction, absolute/incremental measurement
- Keep preset data in memory after restart
- Battery CR2032 , automatic power off
- Data output
- Optional accessory: data output cable (code 7315-50M, 7302-50M)



2859-101



Code	Range	Resolution	Accuracy
2859-10	0-10mm/0-0.4"	0.01mm/0.0005"	±0.02mm
2859-101	0-10mm/0-0.4"	0.001mm/0.00005"	±0.005mm