

# OUTSIDE MICROMETERS WITH 50mm RANGE

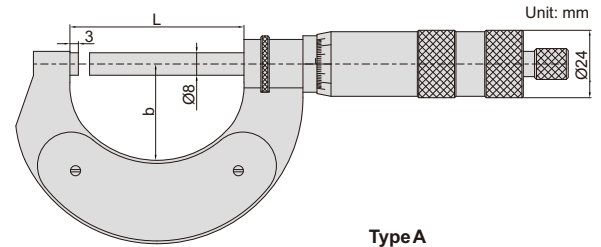
**INSIZE** PLUS

ATTENTION: SETTING  
STANDARDS ARE NOT INCLUDED

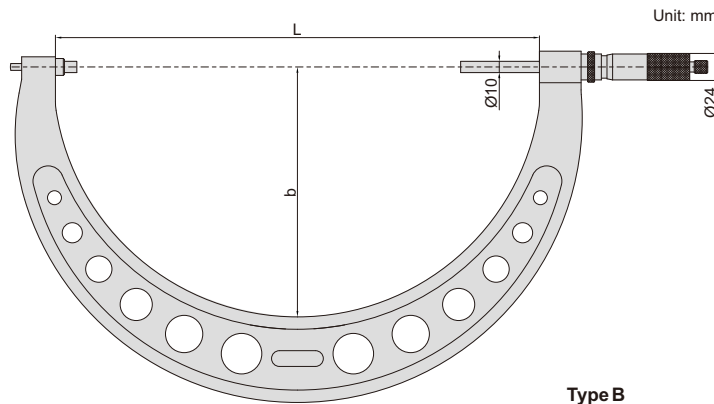
LIGHT  
WEIGHT



**3682-50**



**Type A**



**Type B**

- Graduation 0.01mm
- Ratchet stop
- One turn of sleeve makes 1mm spindle feed
- Carbide measuring faces
- Optional accessory: setting standards (code **7386**)

							(mm)
Code	Range	Type	Accuracy	L	b	Weight	
3682-50	0-50mm	A	4µm	62	34	0.46kg	
3682-100	50-100mm	A	5µm	112	60	0.62kg	
3682-150	100-150mm	A	6µm	164	85	0.78kg	
3682-200	150-200mm	A	7µm	215	110	1.03kg	
3682-250	200-250mm	A	8µm	264	135	1.25kg	
3682-300	250-300mm	A	9µm	315	160	1.45kg	
3682-350	300-350mm	B	10µm	370	190	1.50kg	
3682-400	350-400mm	B	11µm	430	220	1.80kg	
3682-450	400-450mm	B	12µm	475	250	2.15kg	
3682-500	450-500mm	B	13µm	530	273	2.30kg	
3682-550	500-550mm	B	14µm	570	291	2.40kg	
3682-600	550-600mm	B	14µm	630	323	3.00kg	
3682-650	600-650mm	B	16µm	675	351	3.30kg	
3682-700	650-700mm	B	16µm	730	378	3.70kg	
3682-750	700-750mm	B	18µm	785	401	3.90kg	
3682-800	750-800mm	B	18µm	830	423	4.10kg	
3682-850	800-850mm	B	20µm	885	440	4.30kg	
3682-900	850-900mm	B	20µm	930	473	4.90kg	
3682-950	900-950mm	B	22µm	980	503	5.80kg	
3682-1000	950-1000mm	B	22µm	1030	520	6.10kg	