

DIGITAL 3D TESTER

INSIZE PLUS

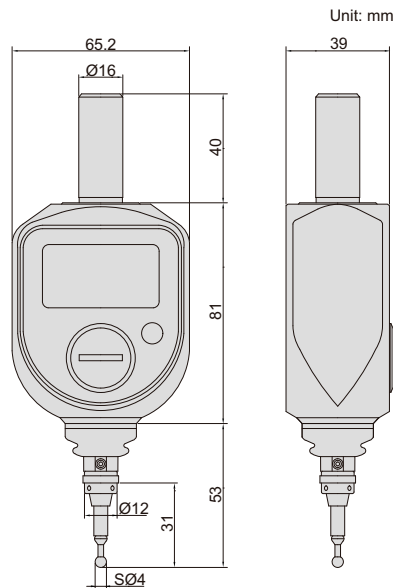
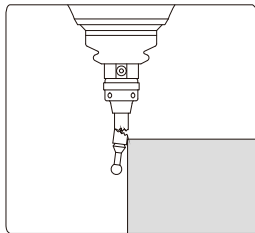
IP54
WATERPROOF

SHOCK
PROOF



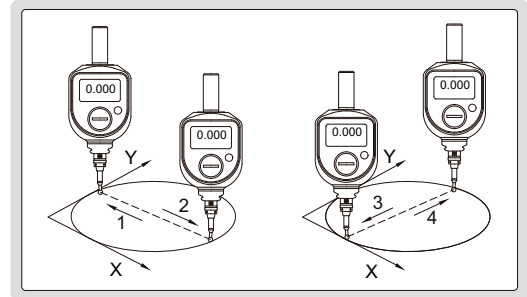
2846-3D

If the probe is pressed too much, the probe breaks at the breaking point, in order to prevent damage of the main body

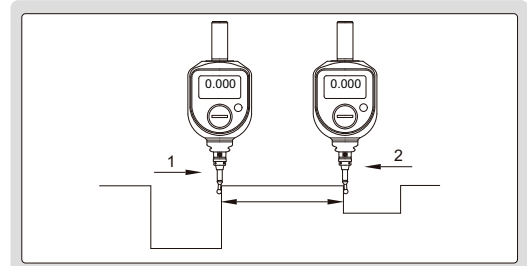


- Shockproof, IP67 dust/waterproof
- Mainly used for milling machines and CNC machine tools
 1. determine coordinate point on workpieces
 2. find center of holes
 3. adjust and position workpieces
- Can be used to measure length and depth
- Reading shows movement value of probe.
for example, if probe moves 0.01mm, reading changes 0.01mm
- Large working range on three axes (X, Y, Z), which avoids damage of probes due to collision by mistake
- Optional accessory: probe (code **2840-N1**)

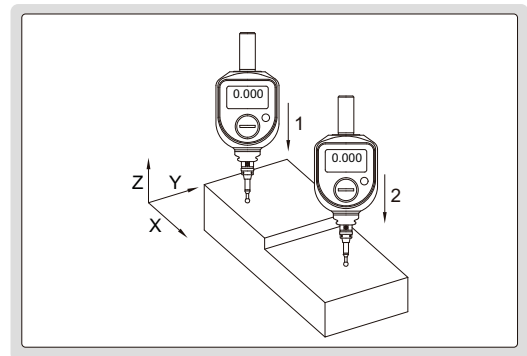
find center of holes



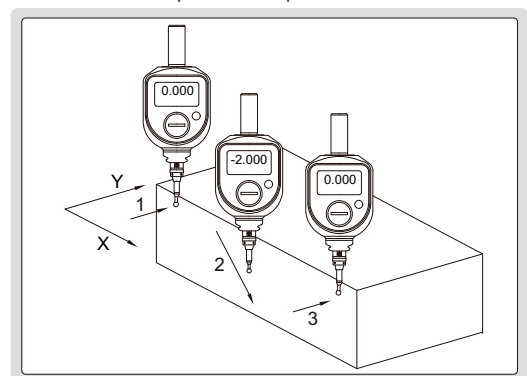
length measurement



depth measurement



position workpieces



Code	Range	Resolution	Repeatability at zero (one direction)	X, Y, Z range
2846-3D	±2mm	0.005mm	±0.005mm	6mm