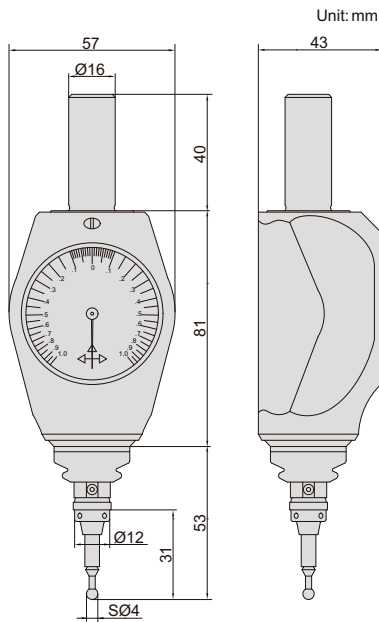


WHEN USING STANDARD PROBE, READING SHOWS MOVEMENT VALUE OF PROBE.
WHEN USING EXTENDED PROBE, READING DOES NOT SHOW MOVEMENT VALUE OF PROBE

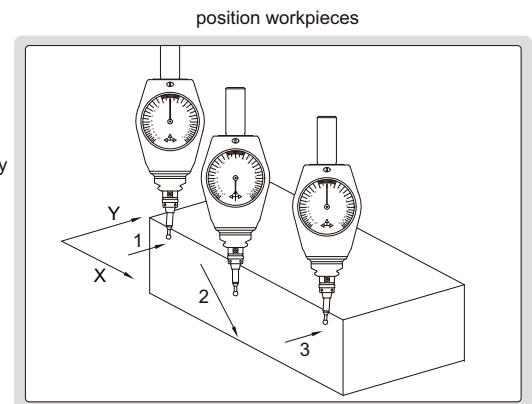
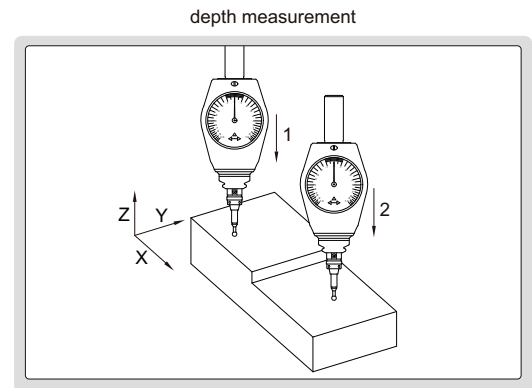
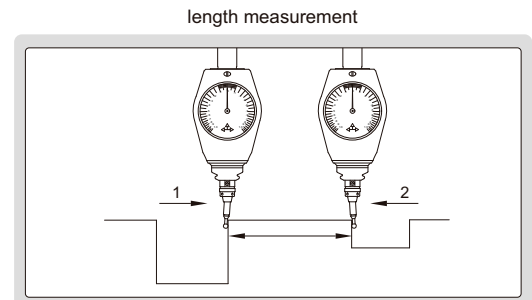
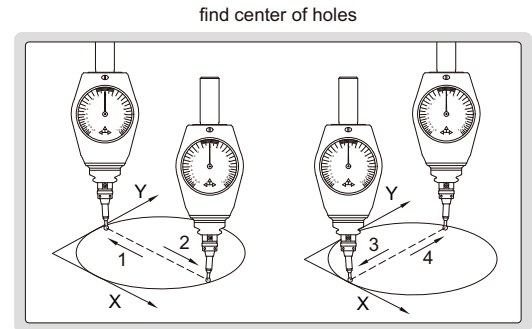
IP54
WATERPROOF

SHOCK
PROOF

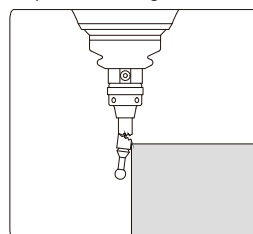


2840-3D

- Shockproof, IP67 dust/waterproof
- Mainly used for milling machines and CNC machine tools
 - determine coordinate point on workpieces
 - find center of holes
 - adjust and position workpieces
- Can be used to measure length and depth
- When using standard probe, reading shows movement value of probe, for example, if probe moves 0.05mm, reading changes 0.05mm(5 graduations). When using extended probe, reading does not show movement value of probe
- Large working range on three axes (X, Y, Z), which avoids damage of probes due to collision by mistake



If the probe is pressed too much, the probe breaks at the breaking point, in order to prevent damage of the main body



Code	Range	Graduation	Repeatability at zero (one direction)	X, Y, Z range
2840-3D	±1.0mm	0.01mm	±0.01mm	6mm



Probe (optional)

Code	Description	L	D
2840-N1	standard probe	31mm	SØ4mm
2840-N2	extended probe	56.6mm	SØ6mm